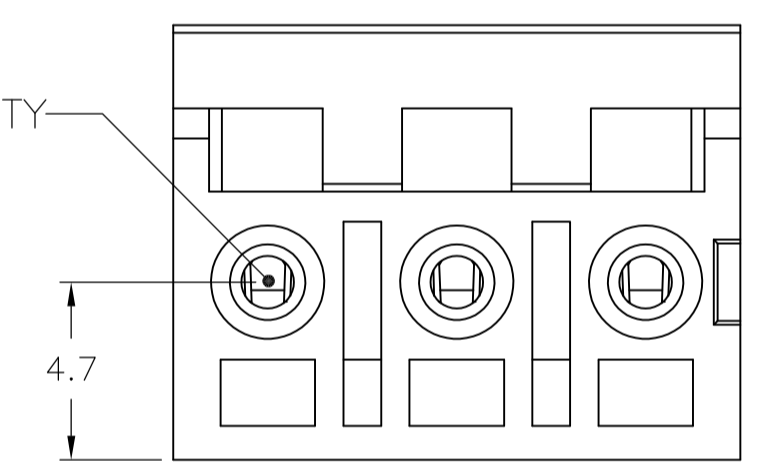
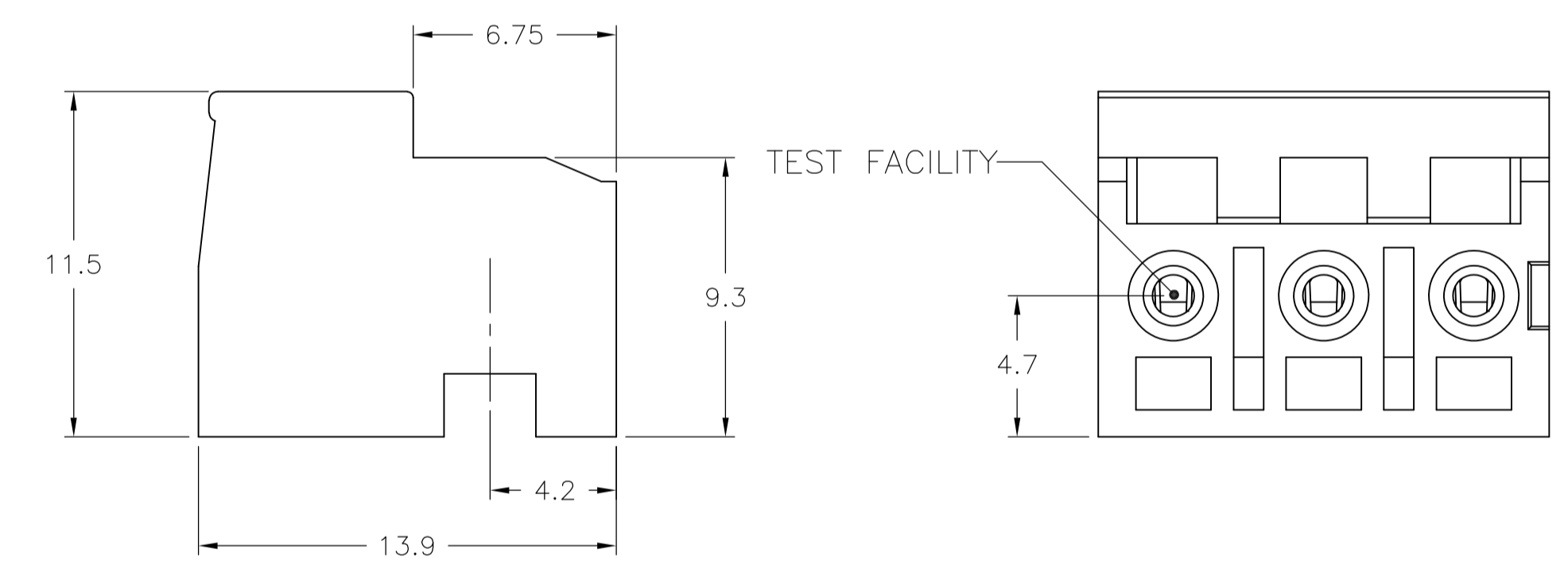
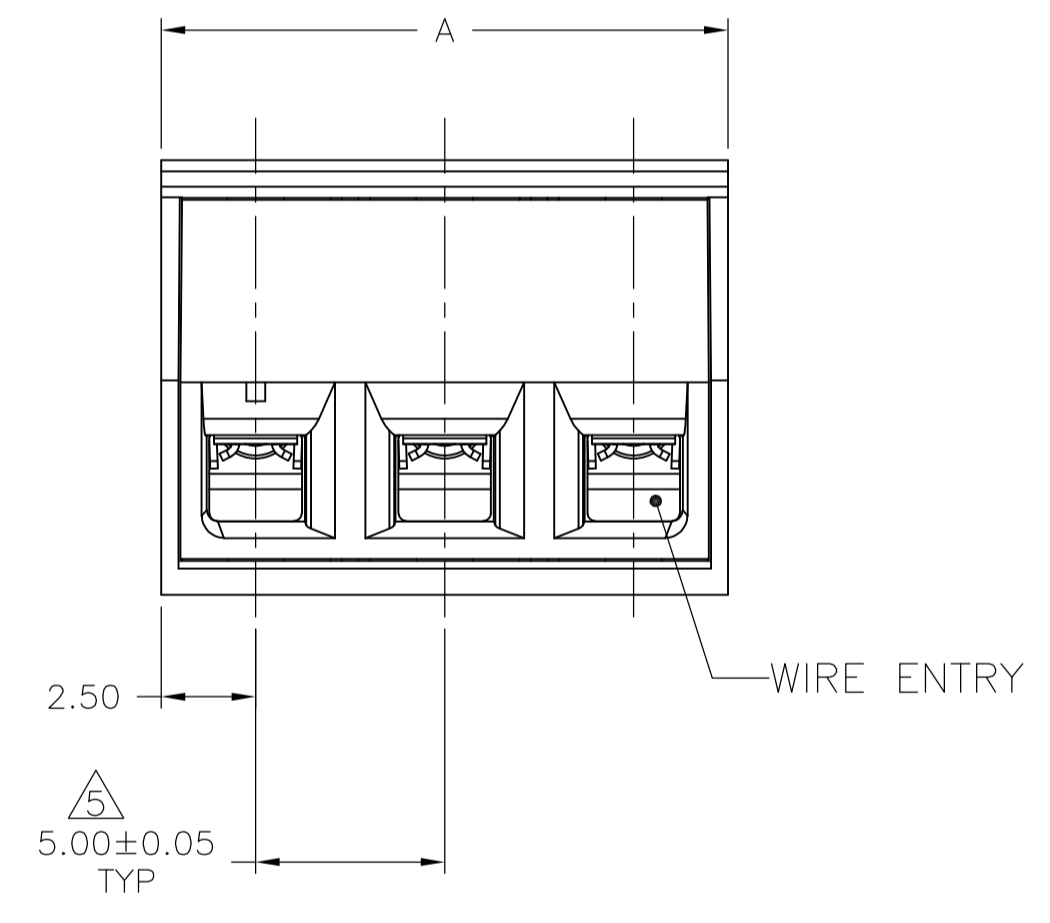
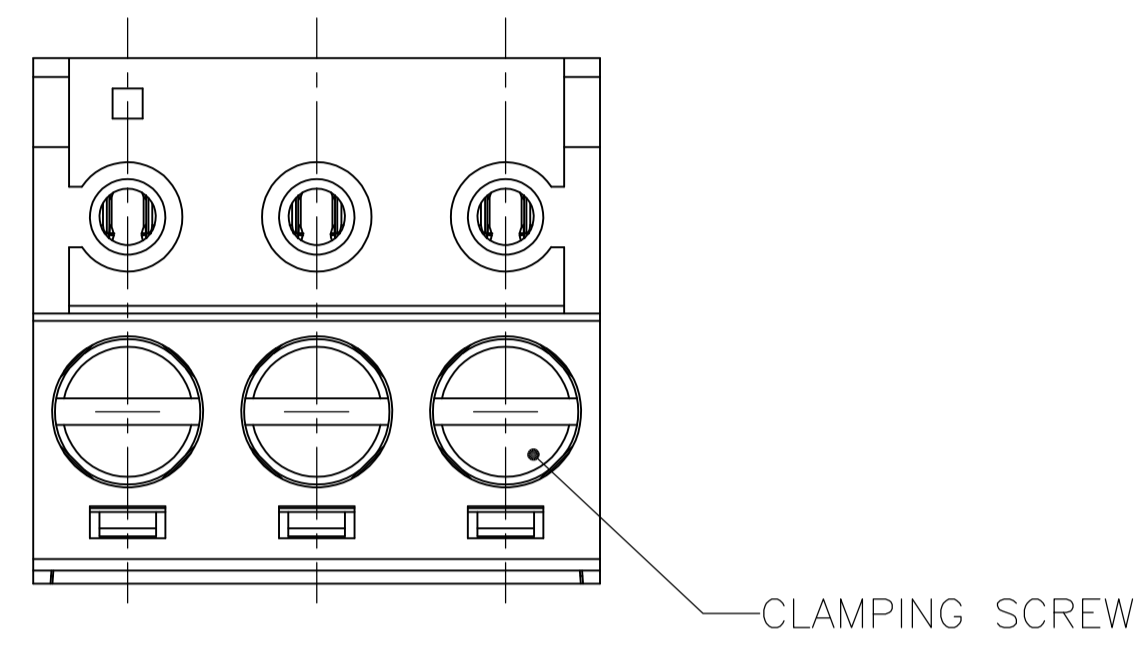


| LOC | | DIST | | REVISIONS | | | |
|-----|-------------|---------------|-----------|-----------|------|--|--|
| P | LTR | DESCRIPTION | DATE | DN | APVD | | |
| L5 | REVISED PER | ECO-15-007618 | 16JUL2015 | AP | PS | | |

NOTES:

- 1 MATERIALS AND FINISH
 HOUSING: PA 6-6, UL 94-V0, COLOR: GREEN.
 CLAMP: BRASS, NICKEL PLATED.
 CONTACT: PHOSPHOR BRONZE, TIN PLATED.
 CLAMPING SCREW: M3, BRASS, NICKEL PLATED.
- 3. RECOGNIZED UNDER THE COMPONENT PROGRAM OF UNDERWRITERS LABORATORIES INC. FILE NO. E60677.
- 4. IMQ CERTIFICATE WITH SURVEILLANCE IN CONFORMITY WITH IEC 998-1/998-2-1.
- 5 NOT CUMULATIVE TOLERANCE.
- 6 INK MARKING, BLACK COLOR.
- 7 INK MARKING, WHITE COLOR.
- 8 WIRE ENTRY IN THE CLOSED POSITION.
- 9 SEE FIGURE.
- 10 END TO END STACKABLE W/O LOSS OF CENTERLINE SPACING.
- 11. MECHANICAL:
 INSERTION FORCE PER POLE MAX 2N (MAX .450 lbf)
 WITHDRAWAL FORCE PER POLE MIN 1.2N (MAX .270 lbf)
 RECOMMENDED/HIGHEST TIGHTENING TORQUE 0.5/0.6 Nm (4.42/5.30 lbf in)
 WIRE STRIPPING LENGTH 4 TO 6 mm (.16 TO .24 in)
 OPERATING TEMPRATURE RANGE -40°C TO +110°C (-40°F TO +230°F)
- 12. ELECTRICAL:
 RATED VOLTAGE : 300 V
 RATED CURRENT 12 A
 WIRE SIZE RANGE : 14-30 AWG
 CONTACT RESISTANCE <15 mΩ
 INSULATION RESISTANCE >1000M Ω (500V DC)

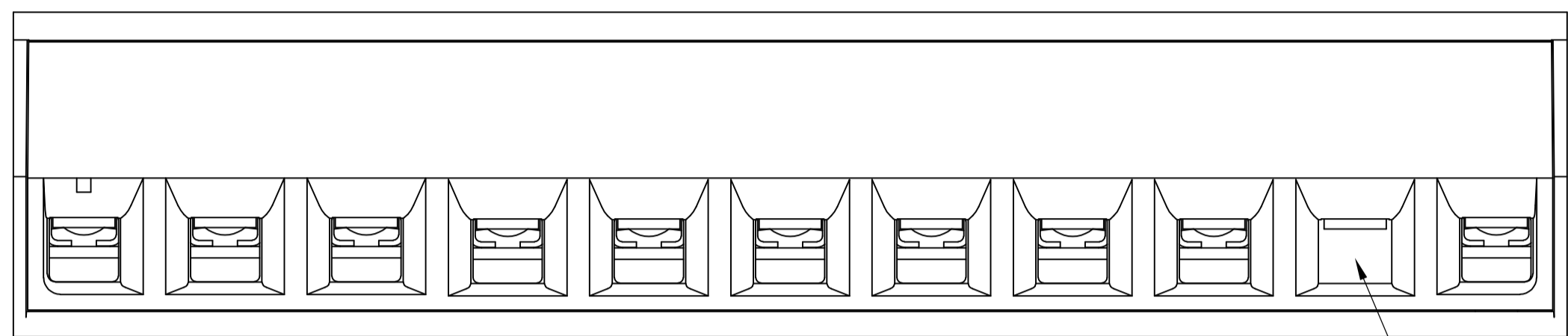


| | | | | | |
|-----|--------------|--------------|-----|----|------------|
| 6,9 | TIN | - | 15 | 3 | 3-282830-7 |
| 6,9 | 0.254um GOLD | - | 10 | 2 | 3-282830-6 |
| 8 | TIN | - | 30 | 6 | 3-282830-5 |
| 7,9 | TIN | - | 15 | 3 | 3-282830-4 |
| 7,9 | TIN | - | 10 | 2 | 3-282830-3 |
| 6,9 | TIN | - | 45 | 9 | 3-282830-2 |
| 6,9 | TIN | - | 30 | 6 | 3-282830-1 |
| 6,9 | TIN | - | 125 | 3 | 3-282830-0 |
| 6,9 | GOLD | - | 15 | 3 | 2-282830-9 |
| | TIN | 1, 3 THRU 11 | 55 | 10 | 2-282830-8 |
| | TIN | 1 THRU 9, 11 | 55 | 10 | 2-282830-7 |
| | TIN | - | 125 | 25 | 2-282830-6 |
| | TIN | - | 120 | 24 | 2-282830-5 |
| | TIN | - | 115 | 23 | 2-282830-4 |
| | TIN | - | 110 | 22 | 2-282830-3 |
| | TIN | - | 105 | 21 | 2-282830-2 |
| | TIN | - | 100 | 20 | 2-282830-1 |
| | TIN | - | 95 | 19 | 2-282830-0 |
| | TIN | - | 90 | 18 | 1-282830-9 |
| | TIN | - | 85 | 17 | 1-282830-8 |
| | TIN | - | 80 | 16 | 1-282830-7 |
| | TIN | - | 75 | 15 | 1-282830-6 |
| | TIN | - | 70 | 14 | 1-282830-5 |
| | TIN | - | 65 | 13 | 1-282830-4 |
| 6,9 | TIN | - | 20 | 4 | 1-282830-3 |
| | TIN | - | 60 | 12 | 1-282830-2 |
| | TIN | - | 55 | 11 | 1-282830-1 |
| | TIN | - | 50 | 10 | 1-282830-0 |
| | TIN | - | 45 | 9 | 282830-9 |
| | TIN | - | 40 | 8 | 282830-8 |
| | TIN | - | 35 | 7 | 282830-7 |
| | TIN | - | 30 | 6 | 282830-6 |
| | TIN | - | 25 | 5 | 282830-5 |
| | TIN | - | 20 | 4 | 282830-4 |
| | TIN | - | 15 | 3 | 282830-3 |
| | TIN | - | 10 | 2 | 282830-2 |

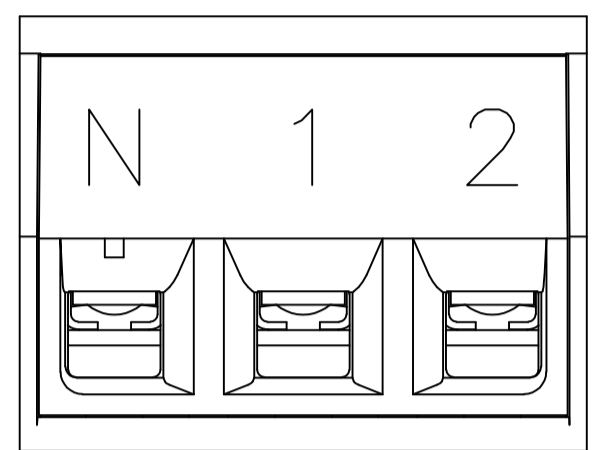
| REMARKS | CONTACT PLATING | SELECT LOADED | A | NO OF POSN | PART NUMBER |
|---------|-----------------|---------------|---|------------|-------------|
| | | | | | |

| | | | | | |
|--|--|---|--|--|--|
| THIS DRAWING IS A CONTROLLED DOCUMENT. | | DIN S SCHLEGEL 28AUG2009 | | TE Connectivity | |
| DIMENSIONS: mm | | TOLERANCES UNLESS OTHERWISE SPECIFIED: | | | |
| 0 PLC ± - 1 PLC ± 0.2 2 PLC ± 0.15 3 PLC ± - 4 PLC ± - ANGLES ± ° | | CIK C RICHARD 8/28/09 APVD C RICHARD 8/28/09 PRODUCT SPEC | | NAME TERMINAL BLOCK PLUG 90/180 DEGREE, STRIGHT SIDE STACKABLE, 5.0mm PITCH | |
| MATERIAL - | | FINISH - | | APPLICATION SPEC SIZE CAGE CODE DRAWING NO A1 00779 C=282830 | |
| CUSTOMER DRAWING | | SCALE 4:1 | | SHEET 1 OF 2 REV L5 | |

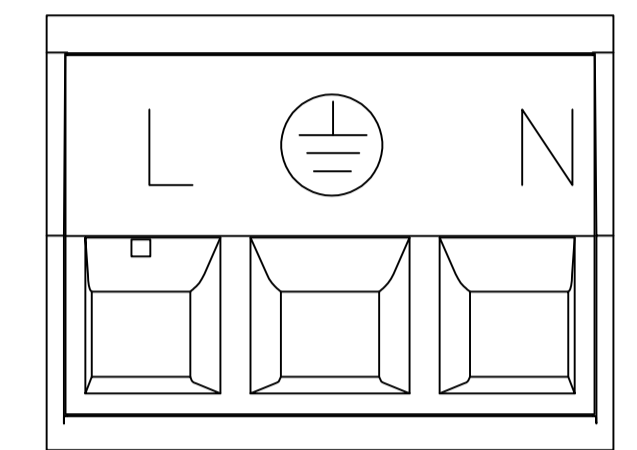
| LOC | | DIST | | REVISIONS | | | |
|-----|-----|-------------|------|-----------|------|--|--|
| P | LTR | DESCRIPTION | DATE | DNW | APVO | | |
| - | - | SEE SHEET 1 | - | - | - | | |



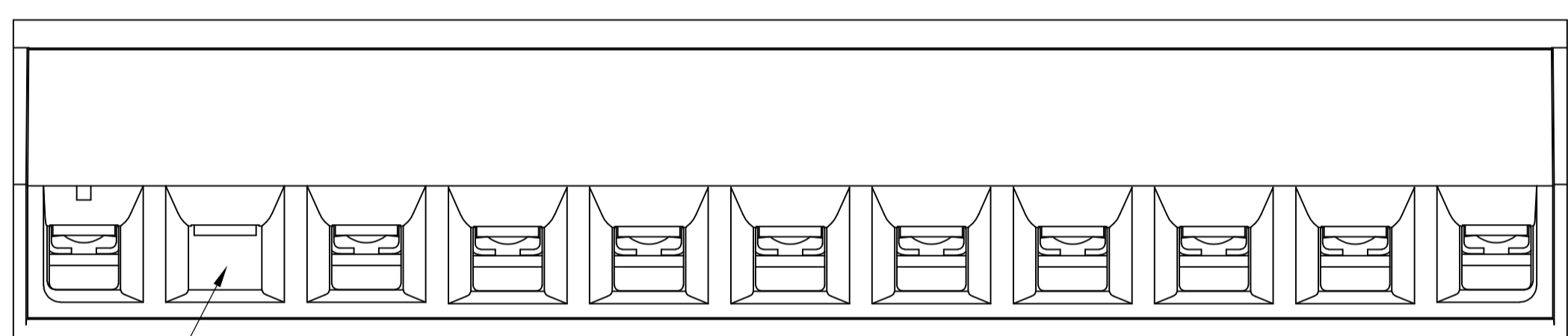
2-282830-7



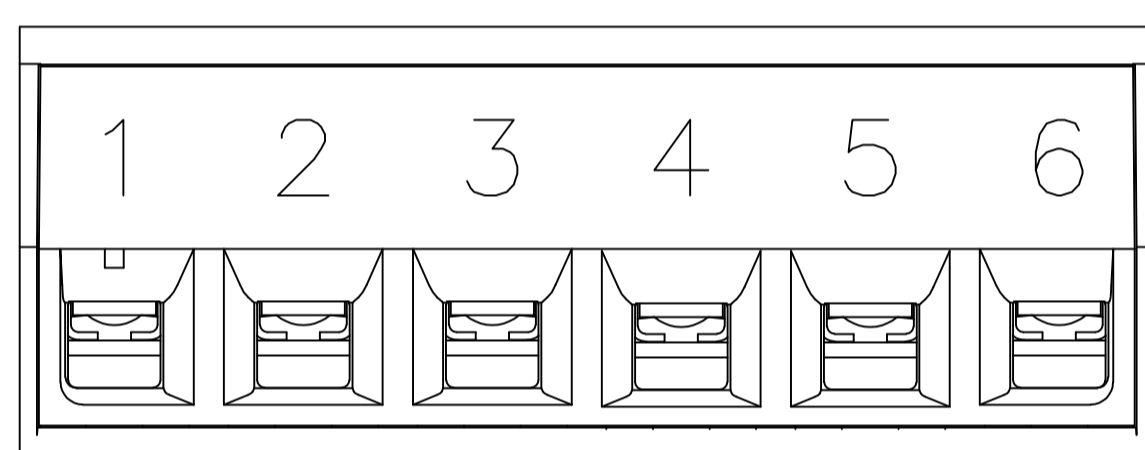
3-282830-0



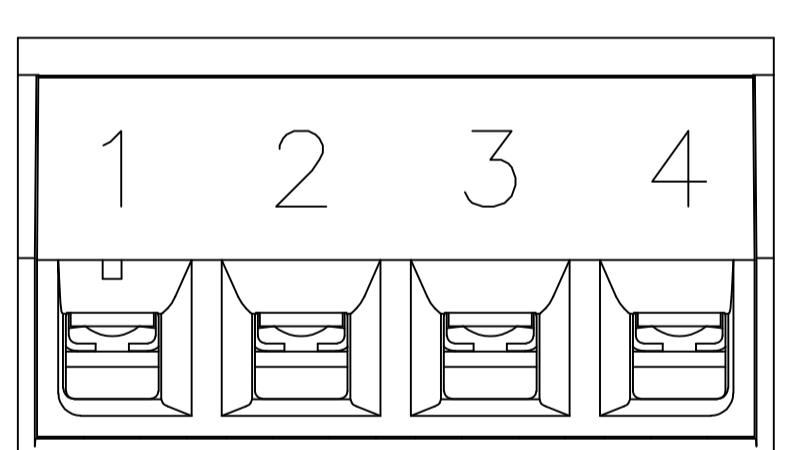
3-282830-7



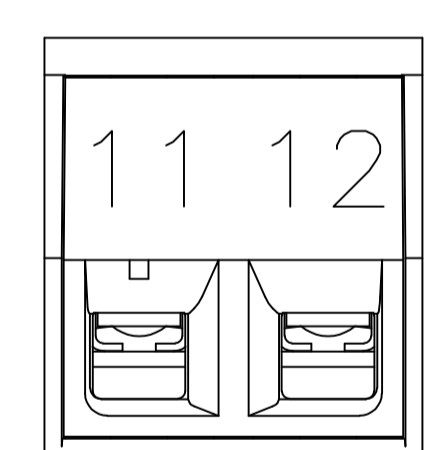
2-282830-8



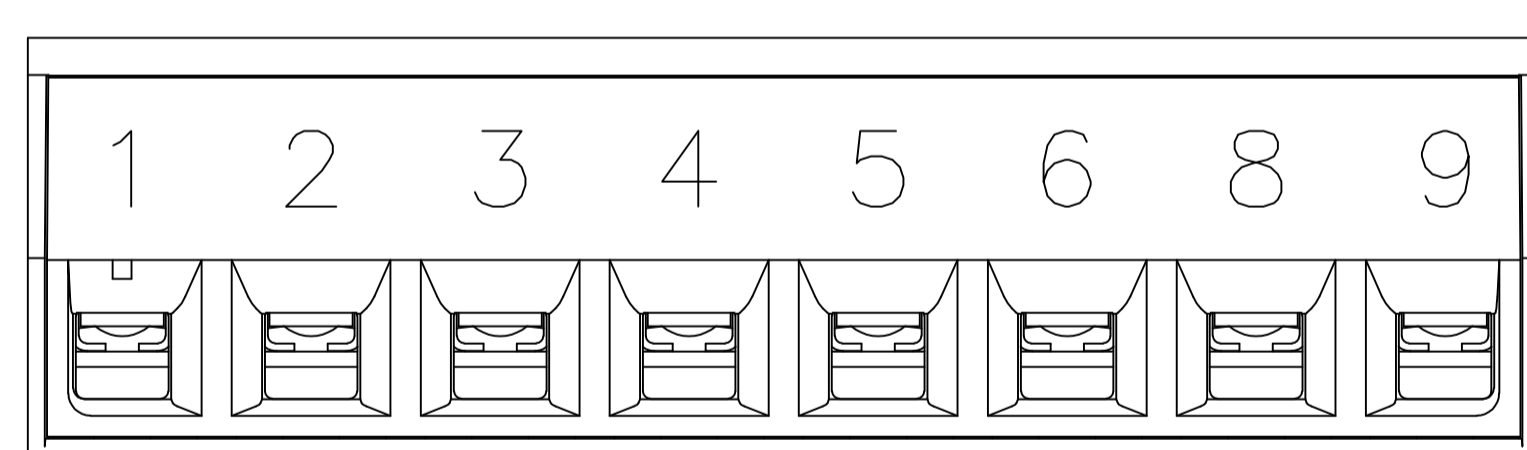
3-282830-1



1-282830-3



3-282830-3



3-282830-2

| | | | |
|--|---|---|--|
| THIS DRAWING IS A CONTROLLED DOCUMENT. | | DIN S SCHLEGEL 28AUG2009 CHK C RICHARD 8/28/09 APVO C RICHARD 8/28/09 PRODUCT SPEC APPLICATION SPEC WEIGHT CUSTOMER DRAWING | STE TE Connectivity NAME TERMINAL BLOCK PLUG 90/180 DEGREE STRIGHT SIDE STACKABLE, 5.0mm PITCH SIZE A1 CAGE CODE 00779 DRAWING NO. C=282830 SCALE 4:1 SHEET 2 OF 2 REV L5 |
| DIMENSIONS: mm | TOLERANCES UNLESS OTHERWISE SPECIFIED: 0. PLC ± - 1. PLC ± 0.2 2. PLC ± 0.15 3. PLC ± - 4. PLC ± - ANGLES ± ° | RESTRICTED TO | |